

Sink Happy Hour

Kitchen Sinks

Code: 1050 850



DETAILS

Finish Foster brushed

Material AISI 304 stainless steel

Texture Brushed in line

Edge/Installation Type Undermount

Dimensions 1447x502 mm

Standard fittings Fixing hooks, gasket, drain, overflow and siphon, boxed packing

Mixer holes No standard holes

Built-in hole 1397x477 mm

Drainer No

Width	145 cm
Bowl dimension	1397x400 mm
Number of bowls	1 bowl
Waste fitting	Drain SPACE 3,5"

EQUIPMENT

1 x Black Grid 8100 600
1 x Bamboo chopping board
8200 002

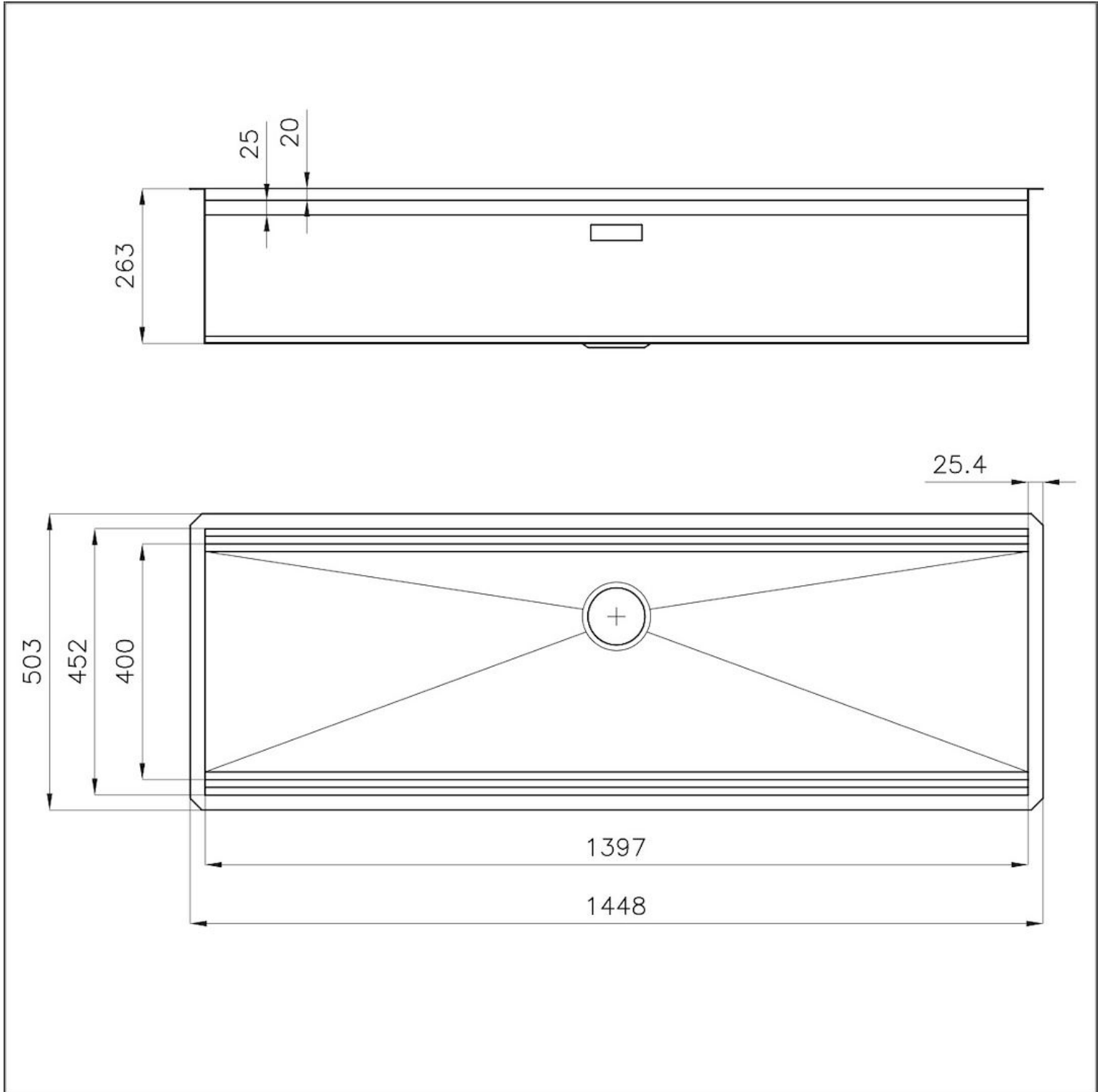
FEATURES

Diamond-shape bottom	The draining of water is an important feature in a sink, and it's always taken good care of in Foster products. In the bent-welded sinks, which would have a flat bottom, the proper draining is guaranteed by the elegant beveling, which helps the water flow.
High thickness	1mm thick steel. A significant thickness, which guarantees the maximum sturdiness and durability.
Space waste fitting	The elegant SPACE steel cap closes the drain and leaves no visible residues collected in the basket below. Space also has a small footprint and allows the optimal use of the under-sink compartment.
Save space system	Drain and siphon are designed to leave as much space as possible in the under-sink area, more and more useful today for theseparate waste collection systems.
Triple recess - sliding accessories	The Foster Milano sink has an ingenious design that makes it simple to use a large set of optional accessories. On the topmost supporting step, the innovative Black grids slide, creating a large and practical surface to rinse food and crockery. The second step is meant to support and allow the sliding of a complete combination of accessories, which make some operations practical and safe: rinse, drain, slice, grate... everything can be done inside the sink. The third supporting step is on the bottom of the bowl. On this step one can rest the Black grids, making it possible to rinse foodstuffs without their coming in contact with the bottom of the sink, which may be dirty.

Perimetral overflow

The overflow is always a security on the Foster sinks that prevents the overflow of water in case of oversights. The perimeter drain solution improves aesthetics thanks to its square and essential shape.

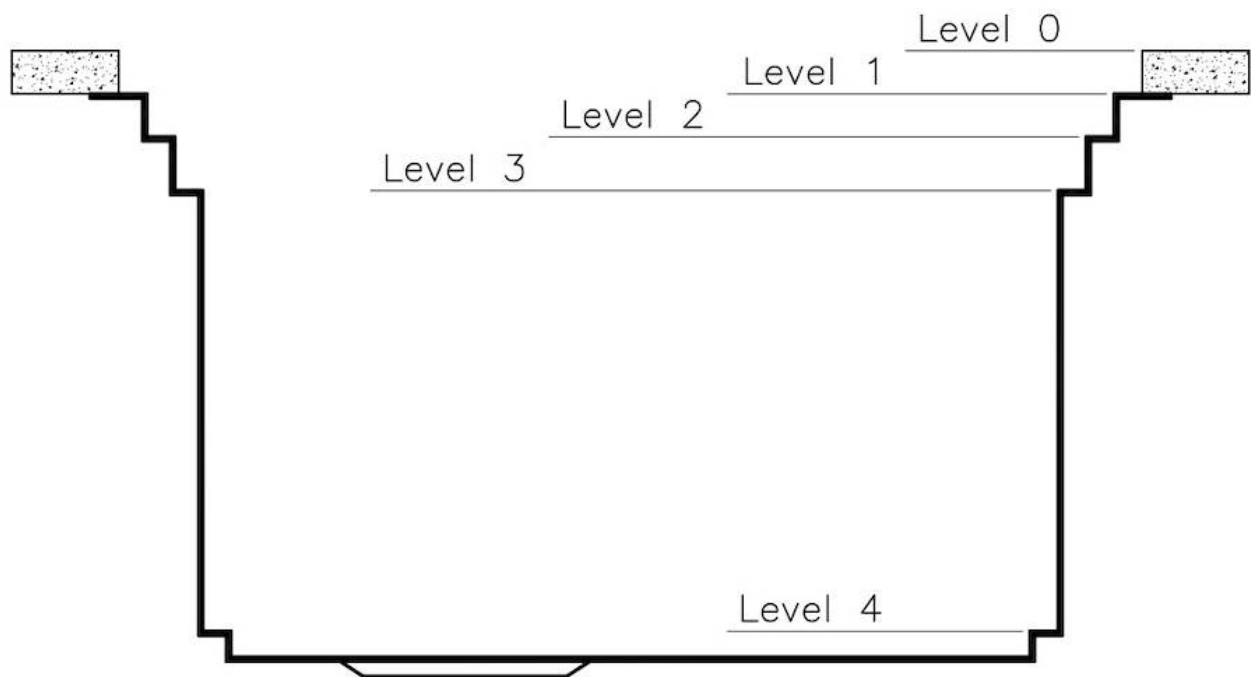
TECHNICAL DATA



Happy Hour Optional accessories / Accessori opzionali

The "rails" system makes it possible to use a combination of numerous accessories. Grids, chopping boards, utensils' ranging system, bowls and containers of different dimensions can be alternated in the workspace with a simple gesture, and can easily be stacked, in order to be on hand at all times.

Il sistema di "corsie" rende possibile l'utilizzo combinato di innumerevoli accessori. Griglie, taglieri, portautensili, vaschette e contenitori di varie dimensioni si alternano nella zona di lavoro con un semplice gesto e possono essere impilati, sempre a portata di mano.



Happy Hour Level 0

Compatible accessories/Accessori compatibili:

8200 002

8200 601



Happy Hour Level 1

Compatible accessories/Accessori compatibili:

8100 625

8100 626

8100 627



Happy Hour Level 2

Compatible accessories/Accessori compatibili:

8100 600
8100 620
8100 621
8100 622
8100 628
8642 000



Happy Hour Level 3

Compatible accessories/Accessori compatibili:

8644	101
8153	100
8631	300
8200	002
8200	601
8100	623
8100	624

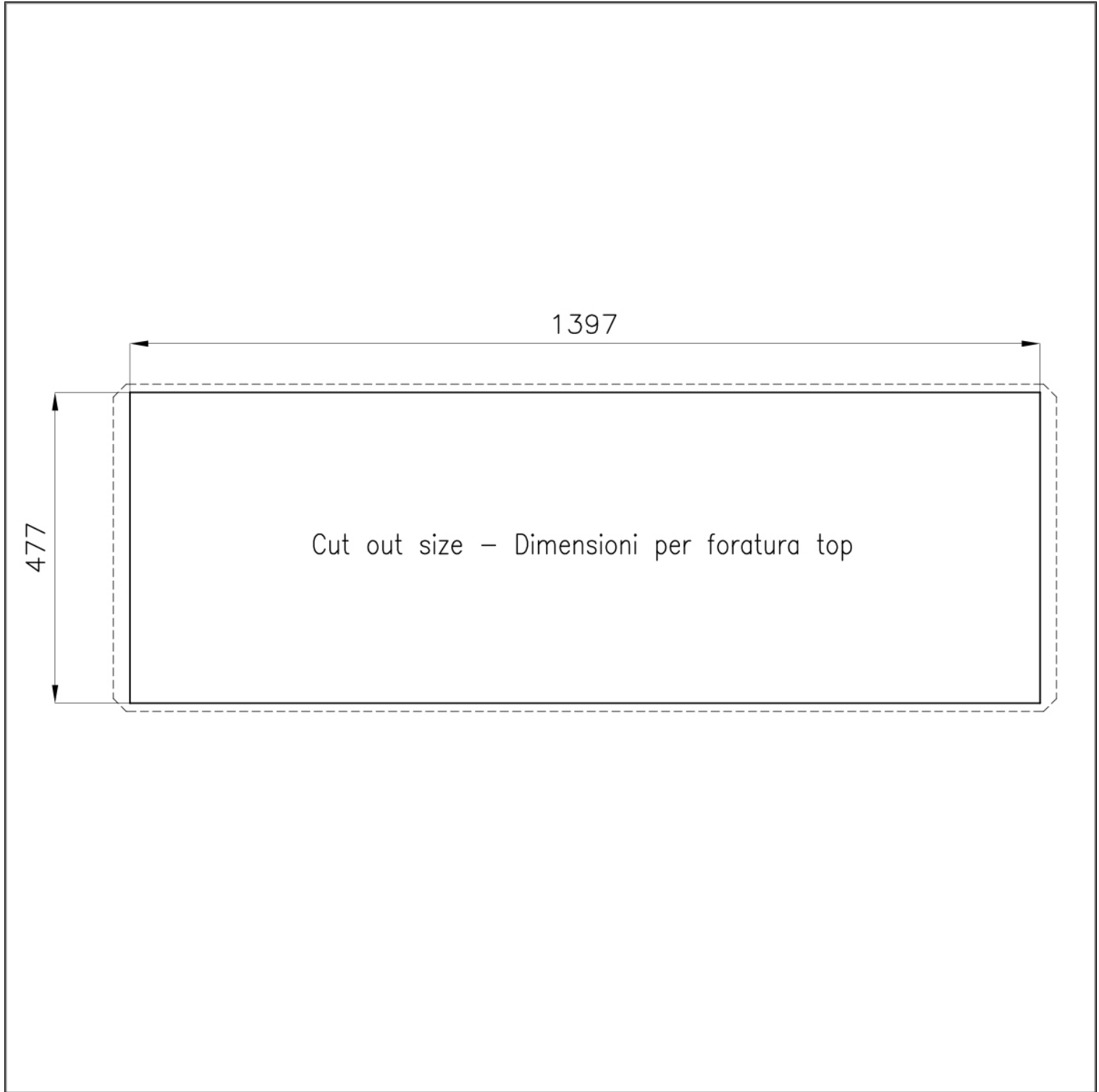


Happy Hour Level 4

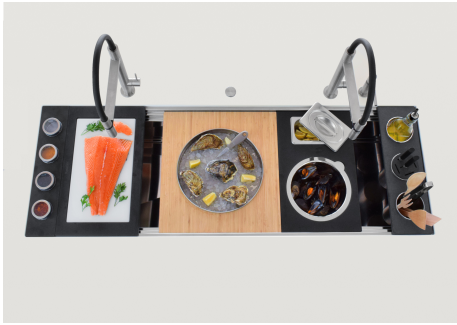
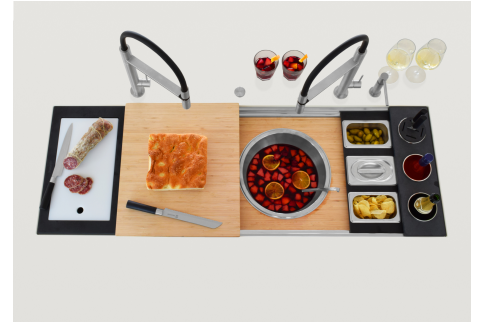
Compatible accessories/Accessori compatibili:

8100 600



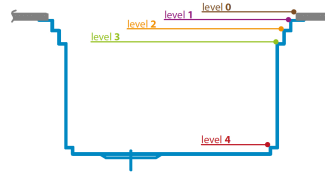


GALLERY



Optional accessories

The "rails" system makes it possible to use a combination of numerous accessories. Grids, chopping boards, utensils, ranging systems, bowls and containers of different dimensions can be alternated in the workspace with a simple gesture, and can easily be stacked, in order to be on hand at all times.



EQUIPMENT



Bamboo chopping board
8200 002



Black grid
8100 600

OPTIONAL ACCESSORIES



2 Bowls set
8100 623



3 Bottles-holder set
8100 621



3 Bottles-holder set
8100 626



3 Bowls set
8100 622



3 Bowls set
8100 624



4 Spices-holder set
8100 620



4 Spices-holder set
8100 625



Glass chopping board
8631 300



Graters kit with ring-holder and food collection tray
8159 101

* only in combination with the accessory
8100 627 or 8644 101



HDPE + Black Twin chopping board
8100 627



HPDE Twin chopping board
8644 101



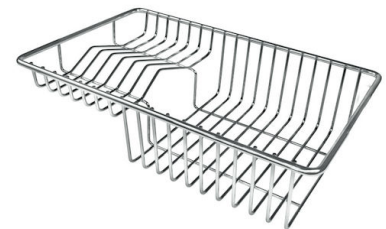
Kit bowl Ø30 cm with bamboo support
8200 601



Kit multi-bowl
8100 628



Stainless steel perforated tray
8151 000
* only in combination with the accessory
8100 627 or 8644 101



Stainless steel plate rack
8100 303
* only in combination with the accessory
8100 627 or 8644 101



Steel tray

1778 000

* only in combination with the accessory
8200 601



Walnut-wood chopping board

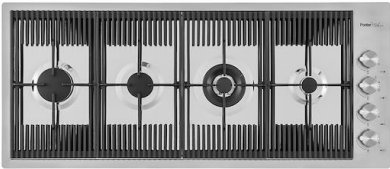
8642 000



White bowl

8153 100

RECOMMENDED PAIRINGS



Cooker hob Milanello

7681 000



Dispenser Evo Satin

8520 100



Mixer Tap Milanello

8425 100



Mixer Tap Skin

8424 100



**Space Push automatic waste fitting
- PP**

8407 116



VOLTA

8491 100